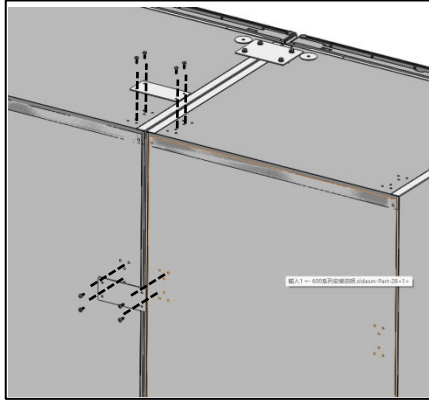
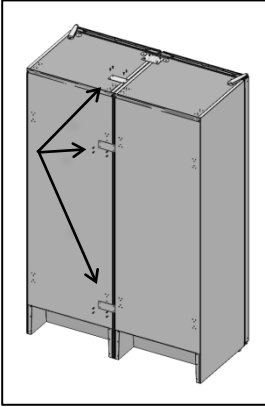


Dual Refrigerator Connection Instructions

① Refrigerator back and top, connecting plate fixing

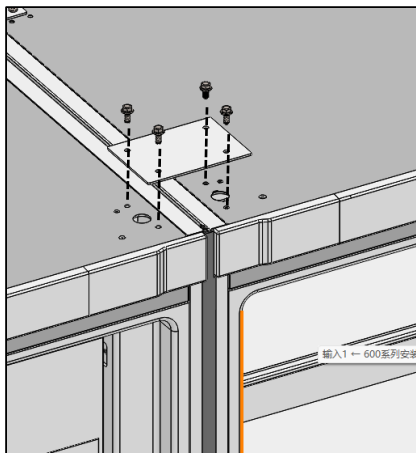
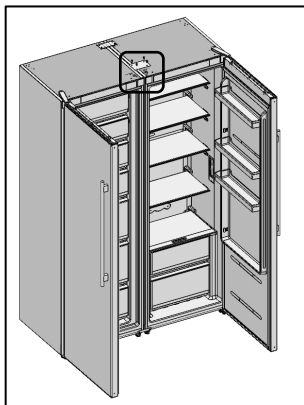


3X



12X

② Refrigerator Upper Beam, Fixed Attachment Plate

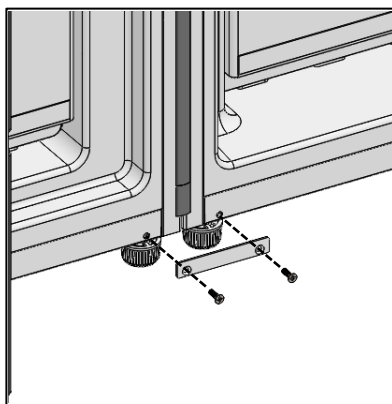
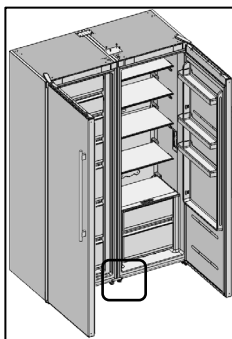


1X



4X

③ Refrigerator lower beam, fixed connection plate

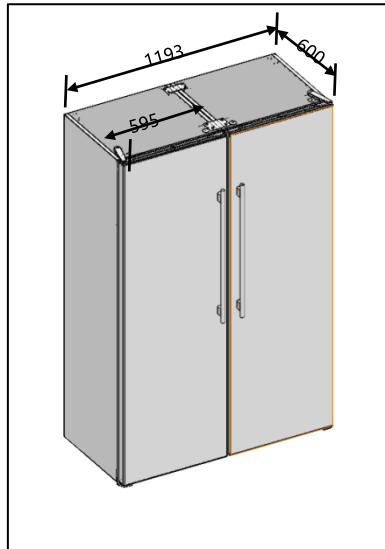
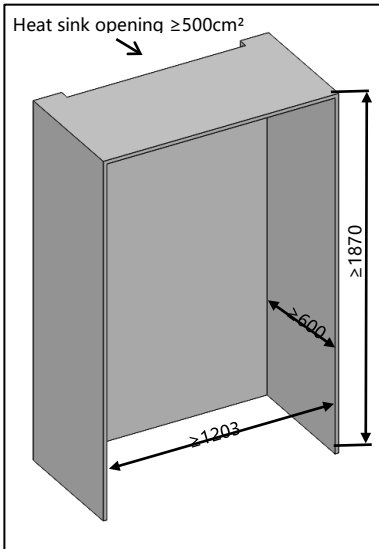


1X

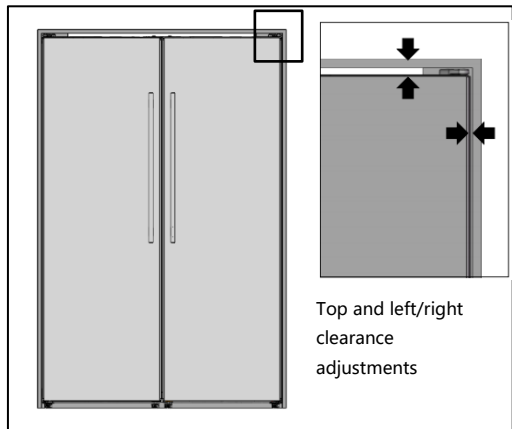
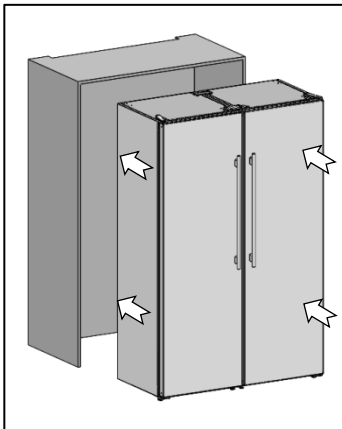


2X

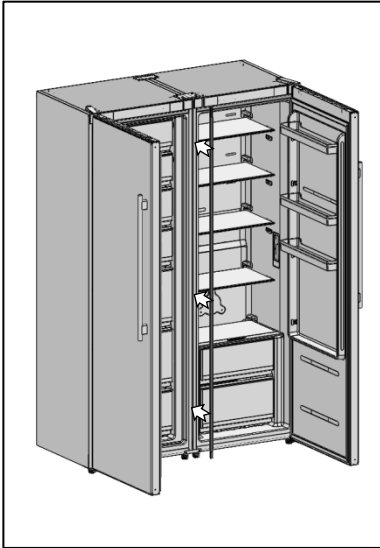
④ Dimension drawing



⑤ Two people work together to push the connected refrigerator into the cabinet at a constant speed

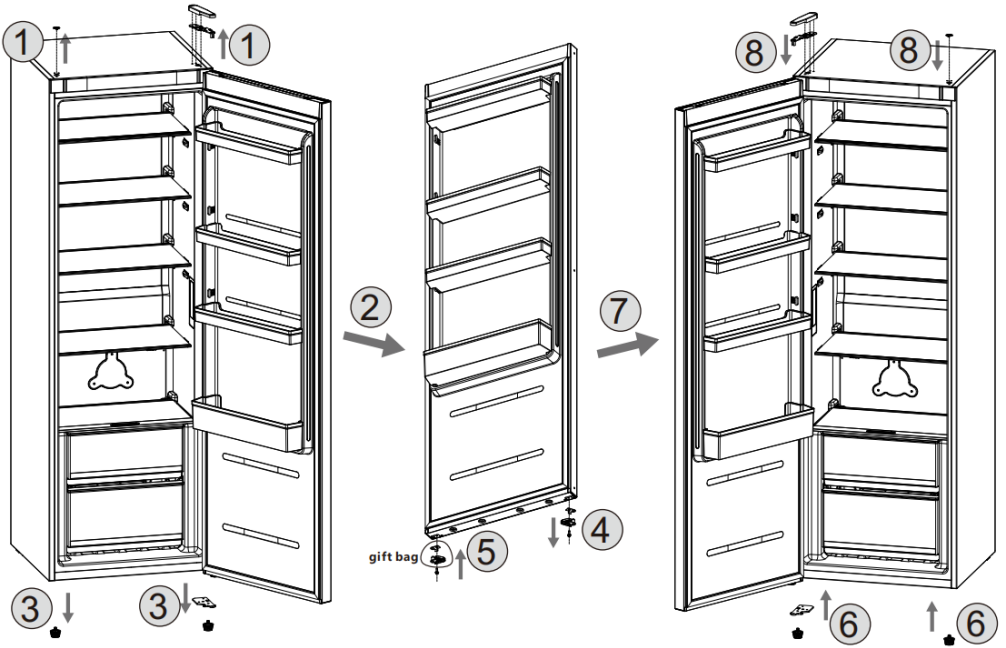


⑥ Installation of a seal between two refrigerators



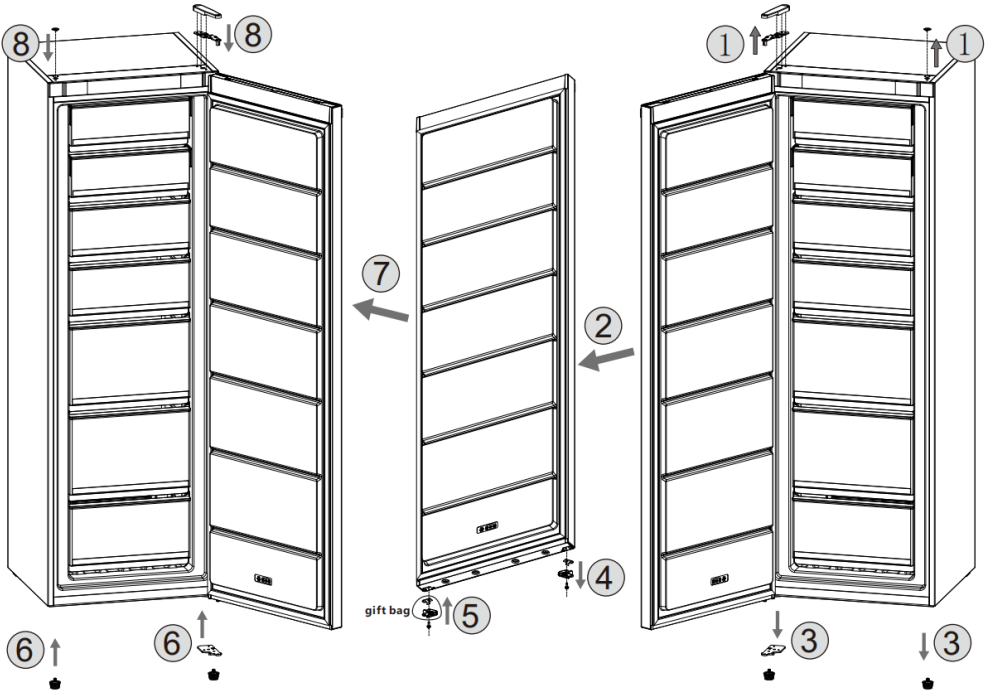
As shown above, the refrigerator can be placed in a cabinet. This product is designed with back airflow. Generally speaking, the more air that moves in and out, the better and more efficiently the product operates.

Reversing the appliance doors-Fridge



Steps 1-8 complete the left and right interchangeable doors as shown.

Reversing the appliance door-Freezer



Steps 1-8 complete the left and right interchangeable doors as shown.

Ensuring the door seals correctly:

It is normal for the seal to be compressed after the door has been reversed. With the door closed, use a hair dryer to expand the seal and fill the gap between the door and the body of the appliance. Take care not to use the hair dryer too close to the appliance, which could damage the seal. A distance of approximately 10cm should be adequate. When completed, allow the seal and door to cool before touching them. Once done, the seal should remain in position.