

ALBA

Version

Remote under-roof motor 950
m³/h

Collection

Design+

EAN code

8034122359526



*The photograph is purely for information
It may not correspond to the selected version.*

FEATURES

Perimeter suction
Electronic control
Metallic grease filter,
removable and washable
Remote control included
Perimeter Led Lighting
Glass perimeter frame
Matte white painted panel
Possibility of painting the panel

OPTIONAL ACCESSORIES

KACL.770#41F
Remote under-roof 1100 m³/h
Brushless

KACL.782#49F
Slim motor 800 m³/h

KACL.786#41F
Outdoor extractor fan 1000
m³/h

KACL.796#4AF
Outdoor extractor fan 1500 m³/h

KACL.797#4AF
Remote under-roof motor 1300
m³/h

KACL.798#41F
Remote under-roof motor 950
m³/h

TECHNICAL FEATURES

Installation type
Ceiling

Dimensions
120 cm

Finishing
Type of control
Electronic control

Speed settings
4

Lighting
LED (4000 K)

PACKAGING:WEIGHTS AND VOLUMES

ALBA Gross weight

52.2 kg

Net weight

45.2 kg

Volumes

0.37 m³

Packaging size

Length

1395 mm

Height

310 mm

Depth

865 mm

REMOTE MOTOR Remote under-roof motor 950 m³/h

Gross weight

10 kg

Net weight

9 kg

Volumes

0.06 m³

Packaging size

Length

435 mm

Height

340 mm

Depth

385 mm

CONSUMPTION AND CONNECTION FEATURES

Maximum consumption

90 W

Voltage

220-240V

Frequency

50-60Hz

MOTOR TECHNICAL SHEET

Maximum capacity

830 m³/h

I.E.C. 61591

Maximum noise level

68 dB(A)re1pW

I.E.C.60704-2-13

Maximum pressure (Pa)

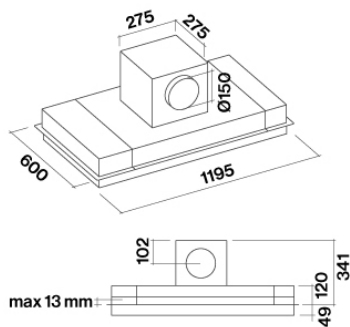
580 Pa

Max. motor power

270 W

ENERGY CLASS

C



Hood and motor dimensions

ALBA

Version

Remote under-roof motor 950
m³/h

Collection

Design+

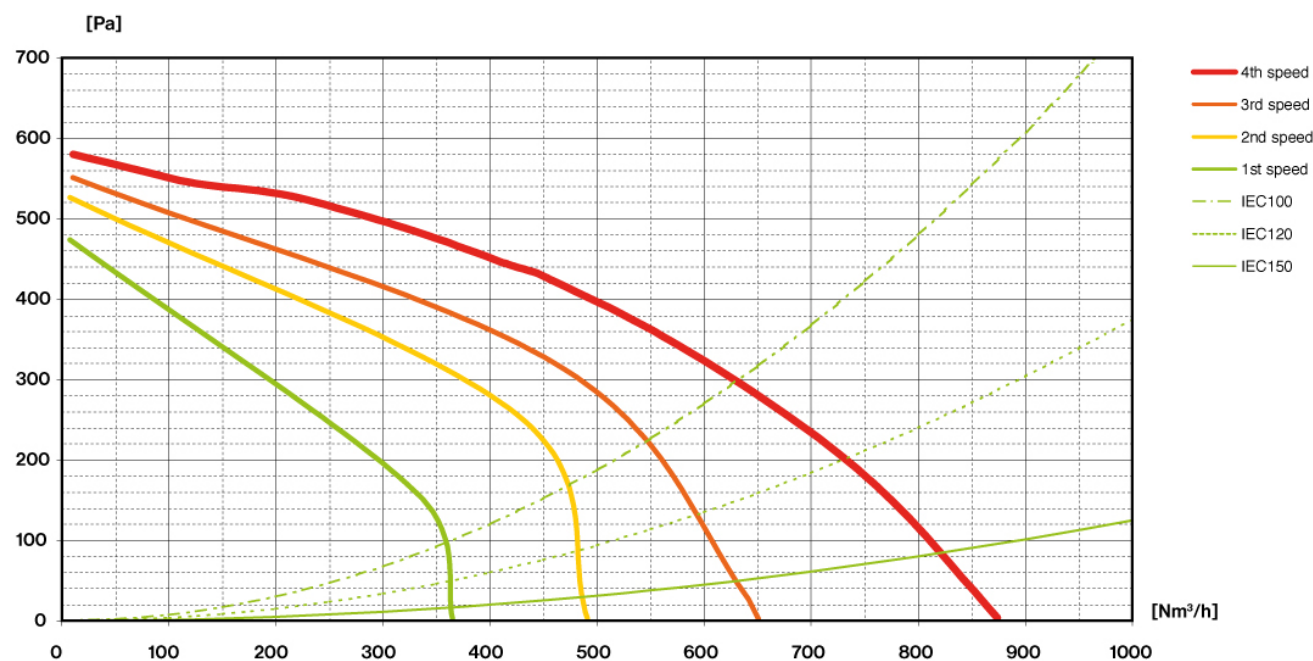
EAN code

8034122359526

MOTOR TECHNICAL SHEET

Motor speed	1	2	3	4
Noise level dB(A) _{re1pW-I.E.C.60704-2-13}	50	57	64	68
Capacity (m ³ /h) I.E.C.61591	360	480	630	830
Maximum pressure (Pa)	480	520	560	580
Motor Power (W)	190	220	250	270
Air outlet	150	150	150	150

CAPACITY / PRESSURE



ALBA

Version

Remote under-roof motor 950 m³/h

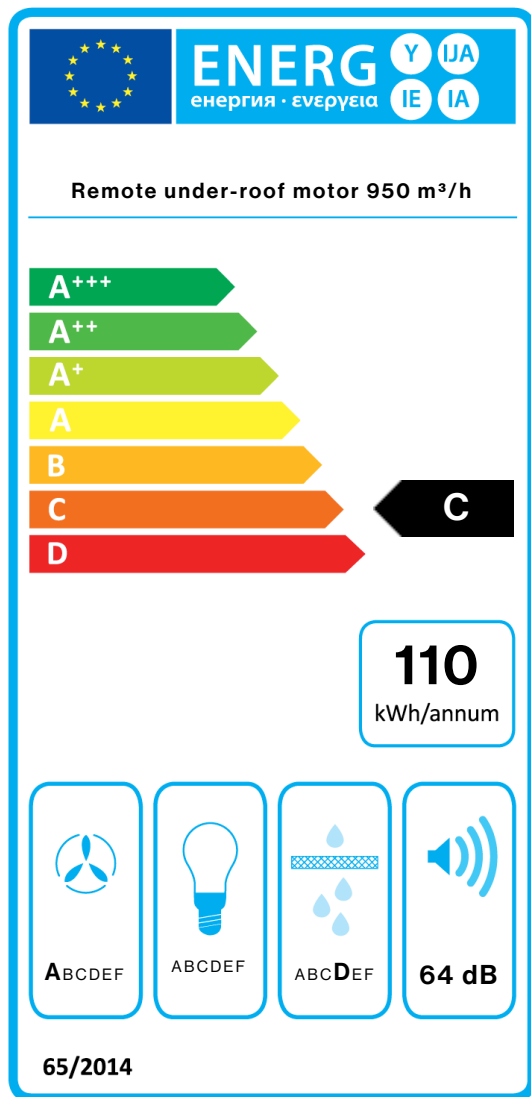
Collection

Design+

EAN code

8034122359526

ENERGY LABEL



PF		
S	Falmec Spa	
M	Remote under-roof motor 950 m ³ /h	
AEC	110,2	kWh/a
EEC	C	
FDE	29,5	
FDEC	A	
LE	4,0	
LEC	G	
GFE	65,1	
GFEC	D	
Qmin	360,0	m ³ /h
Qmax	630,0	m ³ /h
Qboost	830,0	m ³ /h
SPEmin	50	dBa
SPEmax	64	dBa
SPEboost	68	dBa
PO	-	W
PS	0,48	W
PI		
F	0.9	
EEL	72,1	
Qbep	441,0	m ³ /h
Pbep	434	Pa
Qboost	830,0	m ³ /h
Wbep	180,0	W
WL	70,00	W
Emiddle	277	lex
Lwa-SPEmax	64	dBa

PF_Product fiche according to 65/2014 S_Supplier name / M_Model identification / AEC_Annual Energy Consumption (AEC hood) / EEC_Energy Efficiency class / FDE_Fluid Dynamic Efficiency (FDE hood) / FDEC_Fluid Dynamic Efficiency class / LE_Lighting Efficiency (LE hood) / LEC_Lighting Efficiency class / GFE_Grease Filtering Efficiency / GFEC_Grease Filtering Efficiency class / Qmin_Air flow (in m³/h) at min speed in normal use / Qmax_Air flow (in m³/h) at max speed in normal use / Qboost_Air flow (in m³/h) at intensive or boost setting (max air-flow) / SPEmin_Airborne acoustical A-weighted sound power emissions at min speed in normal use / SPEmax_Airborne acoustical A-weighted sound power emissions at max speed in normal use / SPEboost_Airborne acoustical A-weighted sound power emissions (in dB) at intensive or boost setting / PO_Power consumption in off mode (Po) / Ps_Power consumption in stand by mode (Ps). **PI_Additional information according to 66/2014** F_Time increase factor / EEL_Energy Efficiency Index / Qbep_Measured air flow rate at best efficiency point / Pbep_Measured air pressure at best efficiency point / Qboost_Maximum air flow / Wbep_Measured electric power input at best efficiency point / WL_Nominal power of the lighting system / Emiddle_Average illumination of the lighting system on the cooking surface / Lwa=SPEmax_Sound pressure level at the highest speed.